

# Ejectors With Blow Off System SEAC RP

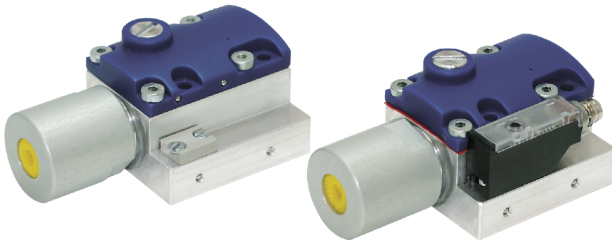
Suction rate 35 l/min



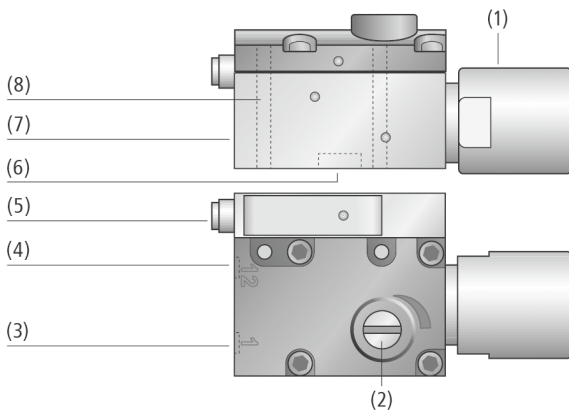
## Suitability for industry specific applications

### Application

- Ejector for applications with short cycle times on tooling systems, e.g. in sheet metal processing, the automotive industry, packaging machines, and robot technology
- Decentral vacuum generation with integrated pneumatic air-saving function



Ejectors With Blow Off System SEAC RP



### Design

- Main body (7) made of anodized aluminum; integrated blow off function
- Integrated silencer (1)
- Optional vacuum switch VS-V-AH-T-PNP-S (5) with adjustable switching point
- Passage for mounting (8)
- Vacuum connection (6); compressed air connection for suction (3) and compressed air connection for blow off (4)
- Adjusting screw for air saving function (2)

System design Ejectors With Blow Off System SEAC RP



Decentral vacuum generation with ejectors SEAC RP with blow off system directly at the suction cup

### Product highlights

- Integrated pneumatic air saving function for minimum air consumption
- Short suction and blow off times allow the shortest possible cycles in automatic mode
- Very light and compact ejectors for systems with extremely high dynamics
- Direct mounting on the suction cup is possible with the modular holder system HTS
- With silencer

# Ejectors With Blow Off System SEAC RP

Suction rate 35 l/min

## Designation code Ejectors With Blow Off System SEAC RP

SEAC 1	-	10 2	-	RP 3	-	VS-T 4	-	R 5
-----------	---	---------	---	---------	---	-----------	---	--------

<b>1 – Abbreviated designation</b>		<b>2 – Nozzle size</b>		<b>3 – Additional function</b>	
Code	Version	Code	Diameter in mm	Code	Type
SEAC	SEAC	10	ø 1	RP	Pneumatic air saving regulation

<b>4 – Product addition</b>		<b>5 – Mounting orientation</b>	
Code	Type	Code	Orientation
VS-T	Vacuum switch	L	Left
		R	Right

Ejector SEAC RP is delivered as a ready-to-connect product (without connection cable).

Available accessories: connection cable, holder (ejector adapter)

## Ordering data Ejectors With Blow Off System SEAC RP

Type	Part no.
SEAC 10 RP R	10.02.02.03289
SEAC 10 RP VS-T R	10.02.02.03290
SEAC 10 RP L	10.02.02.03296
SEAC 10 RP VS-T L	10.02.02.03297

## Ordering data Accessories Ejectors With Blow Off System SEAC RP

Type		Part no.
Connection cable, M8 4-pole, 5 m, PUR, straight	ASK B-M8-4 5000 K-4P	10.06.02.00031
Ejector adapter	ADP-EJ 45.5x21x44-G1/4-IG SEAC VA-S	10.02.02.03483
Ejector adapter	ADP-EJ 45.5x21x44-G1/4-IG SEAC VA-L	10.02.02.03484
Ejector adapter	ADP-EJ 38x20x11-G1/4-IG SEAC	10.02.02.04067
Ejector adapter	ADP-EJ 38x20x11-G1/8-IG SEAC	10.02.02.04068

## Technical data Ejectors With Blow Off System SEAC RP

Type	Nozzle size [mm]	Degree of evacuation [%]	Suction rate (max.) [l/min]	Suction rate (max.) [m <sup>3</sup> /h]	Air consumption suction [l/min]*	Air consumption suction [m <sup>3</sup> /h]**	Max. air consumption blow-off [l/min]	Pressure range (operating pressure) [bar]	Weight [g]
SEAC-RP	0.0	85	36	2.1	65	3.9	92	4.0 ... 6.0 bar	180

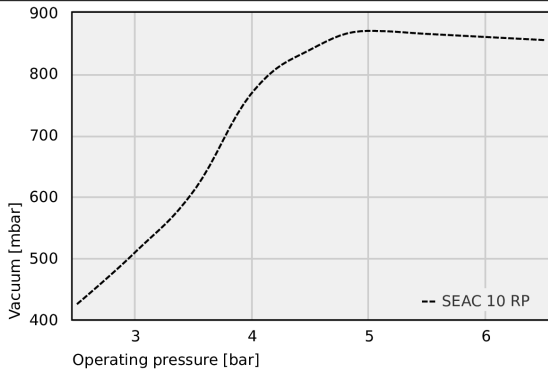
\*At optimal operating pressure

\*\*At optimal operating pressure

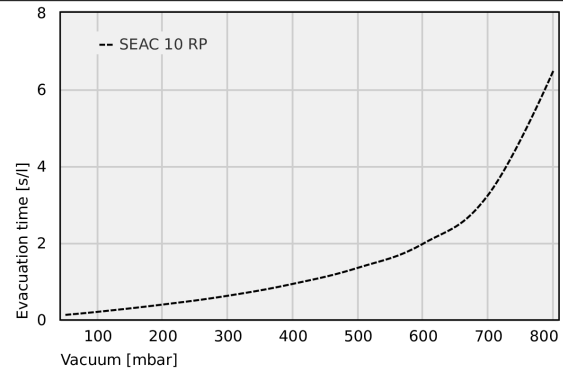
# Ejectors With Blow Off System SEAC RP

Suction rate 35 l/min

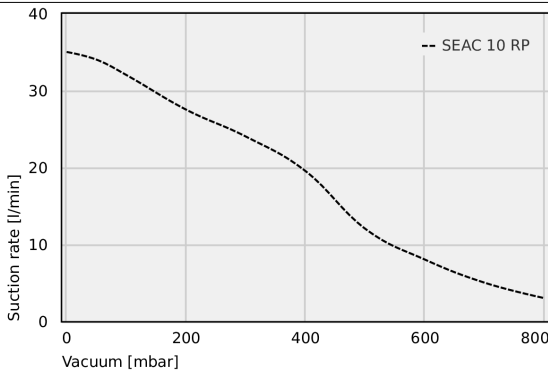
## Performance data Ejectors With Blow Off System SEAC RP



Achievable vacuum at various operating pressures



Evacuation time for various vacuum ranges [s/l]



Suction rate at various degrees of evacuation [l/min]

## Achievable vacuum at various operating pressures

	2.5	3	3.5	4	4.5	5	5.5	6	6.5	
SEAC 10 RP	425	510	610	770	840	870	865	860	855	-

## Ejectors With Blow Off System SEAC RP

Suction rate 35 l/min

### ④ Evacuation time for various vacuum ranges [s/l]

	50	100	200	300	400	500	600	700	800
SEAC 10 RP	0.12	0.20	0.39	0.62	0.93	1.35	1.98	3.26	6.50

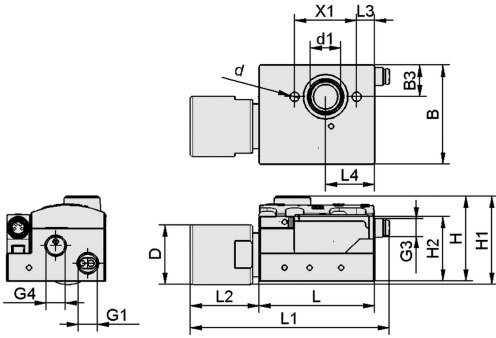
### ④ Suction rate at various degrees of evacuation [l/min]

	0	50	100	200	300	400	500	600	700	800
SEAC 10 RP	35	34	32	27.5	24	19.5	12	8	5	3

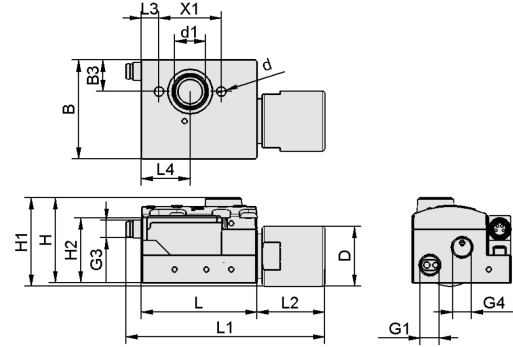
# Ejectors With Blow Off System SEAC RP

Suction rate 35 l/min

## Design data Ejectors With Blow Off System SEAC RP



SEAC RP (VS-T) R



SEAC RP (VS-T) L

## Ejectors With Blow Off System SEAC RP

Suction rate 35 l/min

### Design data Ejectors With Blow Off System SEAC RP

Type	B [mm]	B3 [mm]	d [mm]	d1 [mm]	D [mm]	G1			H [mm]	H1 [mm]	H2 [mm]	L [mm]	L1 [mm]	L2 [mm]	L3 [mm]	L4 [mm]	X1 [mm]
SEAC 10 RP R	44.5	14.2	4.3	13.8	27	G1/8"-F	-	G1/8"-F	38.3	39.8	29.3	52	-	29.5	8	22	28
SEAC 10 RP VS-T R	44.5	14.2	4.3	13.8	27	G1/8"-F	M8-M	G1/8"-F	38.3	39.8	29.3	52	88.1	29.5	8	22	28
SEAC 10 RP L	44.5	14.2	4.3	13.8	27	G1/8"-F	-	G1/8"-F	38.3	39.8	29.3	52	-	29.5	8	22	28
SEAC 10 RP VS-T L	44.5	14.2	4.3	13.8	27	G1/8"-F	M8-M	G1/8"-F	38.3	39.8	29.3	52	88.1	29.5	8	22	28